

SANTOS

Index

Introduction	3
Cleaning: general instructions	4
Cleaning: specific instructions	6
Safety in the kitchen	11
Maintenance instructions	12
Certificate of guarantee	20



Dear user:

The kitchen you have just purchased has been manufactured following the Santos philosophy, whose priorities are comfort, simplicity in cleaning, storage capacity, and the durability of its materials.

Our kitchens offer the maximum functionality without giving up beauty, contributing to create optimal spaces that are practical and cosy.

Day after day, while you work, you will discover the multiple solutions your kitchen offers you to make the daily chores easier.

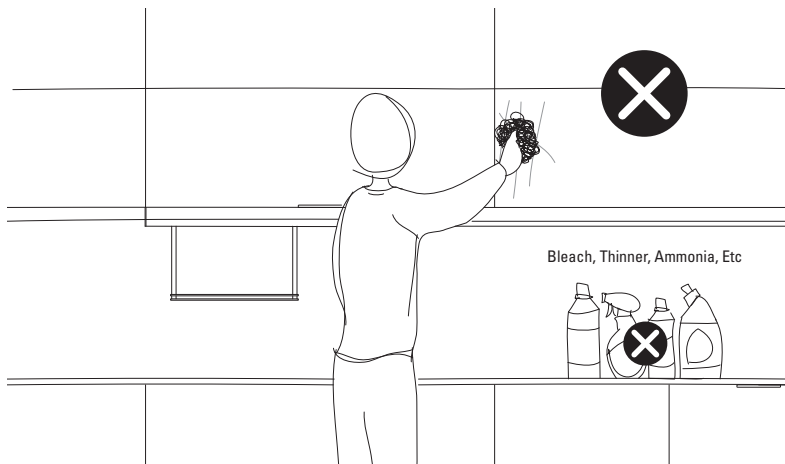
Following, we invite you to become familiar with a series of recommendations that will help you keep your kitchen like new during much longer.

Thank you very much for your confidence.

Cleaning: general instructions

For a correct maintenance of your kitchen cabinets and equipment, periodic cleaning is required. Keep in mind that stains will dry out with time, making the process more difficult.

Never use scouring pads or aggressive substances that could damage the cabinet's surface: bleach, thinners, turpentine, acetone, stain removers, ammonia...



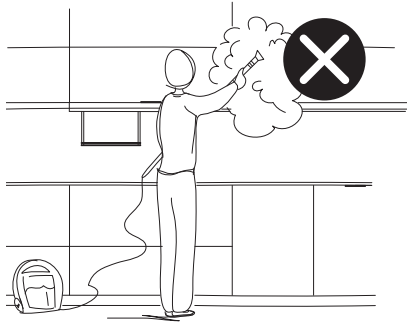
To eliminate normal stains, use a cloth dampened in water and a neutral detergent, and following, wipe dry with a soft cotton cloth.

To eliminate more resistant stains, use a sponge dipped in water and neutral detergent first, and following wipe dry the whole surface and edges with a soft cotton cloth or cellulose towel.

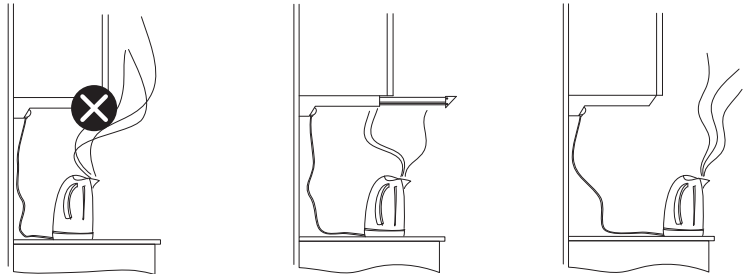
A continued contact with water vapor or excess heat can damage the furniture. This is why we advise:

- Always cook with the extractor hood on. To avoid excess grease from depositing on the cabinets, clean the hood filter on a regular basis, replacing it whenever necessary.
- In case of condensation or spillage of liquids, dry the cabinet's doors and carcass with a cotton cloth or cellulose towel.

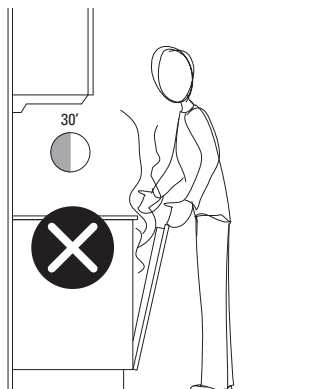
- Do not use cleaning appliances that work with water vapor.



- Do not use coffee machines or any other small appliances under the hanging wall units.



- Do not open the dishwasher door during the next 30 minutes after the washing program has come to an end.



Cleaning: specific instructions

Melamine and laminate fronts

Melamine and laminate Santos fronts have a high resistance to heat and damp.

Although the glues used to edge the fronts guarantee a perfect seal, we recommend avoiding an extended contact with any liquid.

To clean, follow the general instructions previously stated.

Lacquered fronts

Lacquered Santos fronts undergo a strict quality control that certifies their resistance. Their correct maintenance requires a careful cleaning process in which the general instructions previously stated are carried out.

To remove resistant stains, and only in the case of high gloss lacquer, the fronts could be cleaned using some ethyl alcohol very diluted in water.

In case that some lacquer chips due to a knock, proceed to apply a drop of "Touch up Paint" supplied with the kitchen. If you do not have a bottle of "Touch up Paint", you can ask for one at your local dealer.

Veneered fronts

The veneers used on Santos fronts are made with wood of high quality produced according to practices that are environment friendly.

The natural process of wood oxidation contributes to make its tones, shades and grains stand out, giving the kitchen a unique and personal character.

The fronts´ surface is protected with varnishes that have been tested in reputable laboratories, although they cannot prevent damages due to aggressive cleaning or continued infiltration of water and vapor.

In order to keep them in a perfect condition, we recommend following the general cleaning instructions, also keeping in mind that we advise against the use of products containing wax.

Steel fronts, worktops and handles

The elements in stainless steel at Santos are known for their high resistance. Although its superficial finish gradually alters due to friction, this does not imply loss of natural sheen nor does it affect its properties of durability.

To clean, use a wet sponge soaked in water with neutral detergent, rubbing in the direction of the polished finish. Next, clean with abundant water and dry using a soft cotton cloth.

To bring out the shine in the steel, you can use a specific product or use burning alcohol diluted in water.

We advise against the use of scouring pads, abrasive creams and substances that could damage the surface (bleach, grease removers and powder detergent)

Granite worktops

Only the most appropriate granites are used as a work surface in the manufacture of this type of worktops.

Granite is a natural material, characterized for its porosity and tone variation. To maintain its original shine longer, we recommend avoiding exposing the surface to fats, oils, red wine, vinegar, tomato and citric juices for an extended period of time.

To clean, use a wet sponge or cloth soaked in water with detergent, and next dry with a clean, dry cloth.

If bleach is used, you should rinse immediately and remove any product residue with a cloth.

Lime stains due to very alkaline water can be cleaned using a mix of water and vinegar. Next wipe dry with a clean cloth of cellulose towel.

Ferrostone worktops

Ferrostone worktops exclusive to Santos are an ideal work surface. They are not easily scratched and since they are a non-porous material, they remain inalterable with spilling of liquids and weak acids commonly used in the kitchen (citric acid, vinegar...).

To keep its original sheen and color, we recommend that you do not place hot objects on its surface. We also recommend the use of neutral detergents and natural or synthetic waxes when cleaning.

Whenever you use bleach, it is necessary that you rinse immediately and remove any product residue with a cloth.

We advise against the use of acids or detergents that are very alkaline, that is, those whose label indicate a pH higher than 10. We also discourage the use of paint stripper, caustic soda and products containing chlorine.

Laminate or solid wood worktops

To clean these types of surfaces, follow the general cleaning instructions, also keeping in mind the following recommendations:

- Do not place hot objects on the worktop since they could cause irreversible damages.
- Do not use the worktop as a surface to cut or chop food.
- Do not place liquids on the worktop for an extended amount of time, since they could cause infiltrations.

Glass units

To clean these elements correctly, follow the steps we hereby mention:

- Remove any dust from the frame and glass surface with a clean and dry cloth.
- Dampen a cellulose towel or cotton cloth without fuzz with water or glass cleaner.
- Clean gently, without rubbing, all the surface with a cloth.
- Wipe dry with a clean cloth or paper towel.

We totally advise against the use of aggressive products or products containing thinners.

Plinths, handles and other aluminium elements

To clean the aluminium elements in your kitchen, use a wet sponge soaked in water and neutral detergent, rubbing in the direction of the finish. Then rinse and wipe dry with a soft cloth that does not leave fuzz.

When dealing with stubborn stains, you can use burning alcohol mixed with water, which must then be dried off with a cotton cloth or cellulose towel.

The use of scouring pads or abrasive creams is not recommended, as they may damage the surface.

Safety in the kitchen

We recommend the use of large lower drawers to store crockery, pots and heavy utensils. Save the wall units for the storage of lighter items.

When removing a door for cleaning, hold the door firmly before removing it from the unit.

Before changing a halogen light, turn off the main electrical switch and make sure the lamp is not hot.

Safety in the kitchen also for your children:

- Keep all toxic, flammable and sharp products away from children. Santos has a closing system for its units which prevents children from gaining access to their contents. If you would like to include this system in your kitchen please contact your Santos dealer.
- Do not allow children to play with doors and drawers. The kitchen furniture and its components must not be used for any other purposes than those for which they were designed.
- If you are working in the kitchen and there are children around, please make sure they stay away from the hob or the oven, if these are in use.
- Make sure that the opening in the multifunction trolley's drawer is locked when not in use.

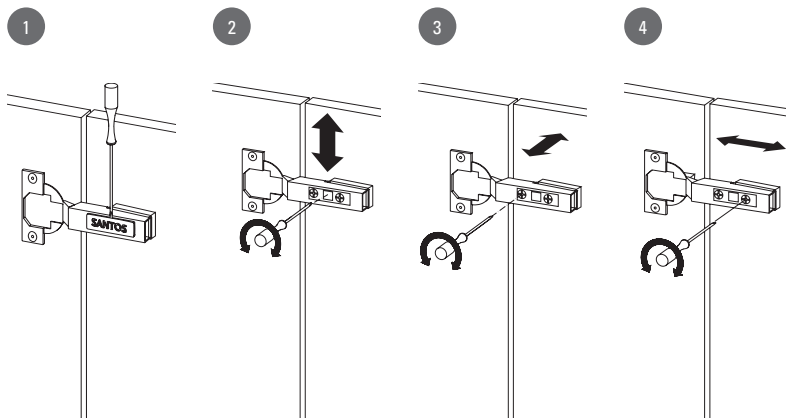
If you use toxic or corrosive cleaning products, always follow the manufacturer's instructions, using masks, gloves or any other necessary protection.

Before using a product described as flammable on the label, ensure there is no flame or smoke in the room.

Maintenance instructions

How to regulate a door hinge

- (1) Removing the arm cover cap
- (2) Vertical adjusting
- (3) Adjusting the distance between the front and the carcass of the unit.
- (4) Horizontal adjusting

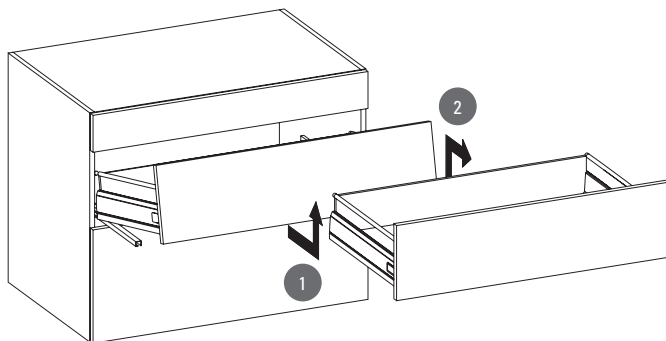


How to remove a drawer

Drawers can be removed to make cleaning the inside of the cabinet easier.

Once emptied and totally opened the drawer, pull it upwards (1) and while holding firmly, move outwards (2).

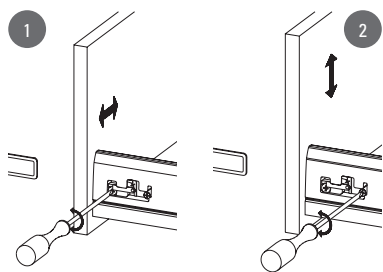
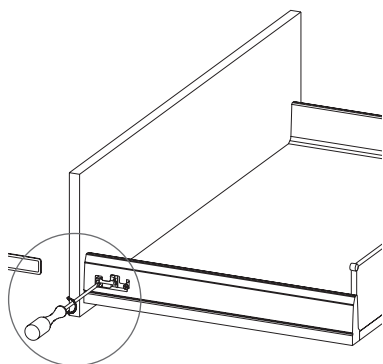
To put the drawer back in place, follow the previous instructions backwards.



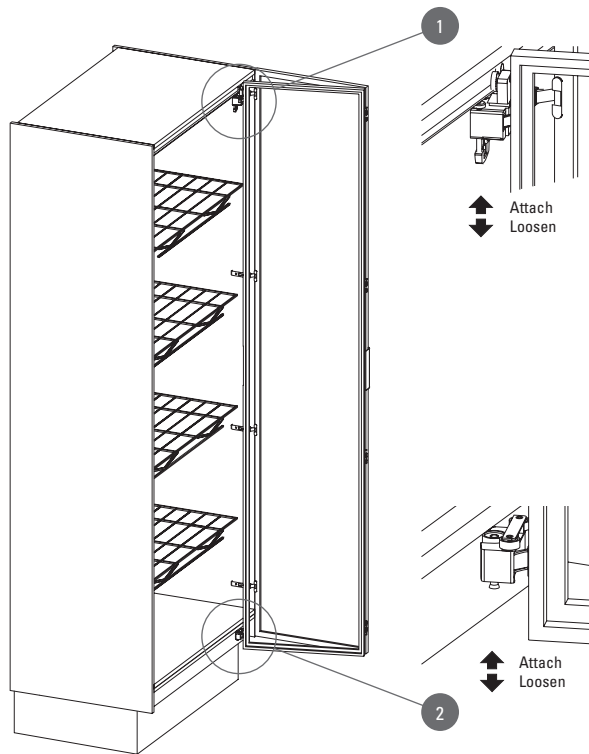
How to adjust a drawer front

The original position of the fronts and drawers can suffer some variations with the use and the passing of time.

To adjust it again horizontally (1) or vertically (2), follow the instructions in the designs paying attention to the direction indicated by the arrows.



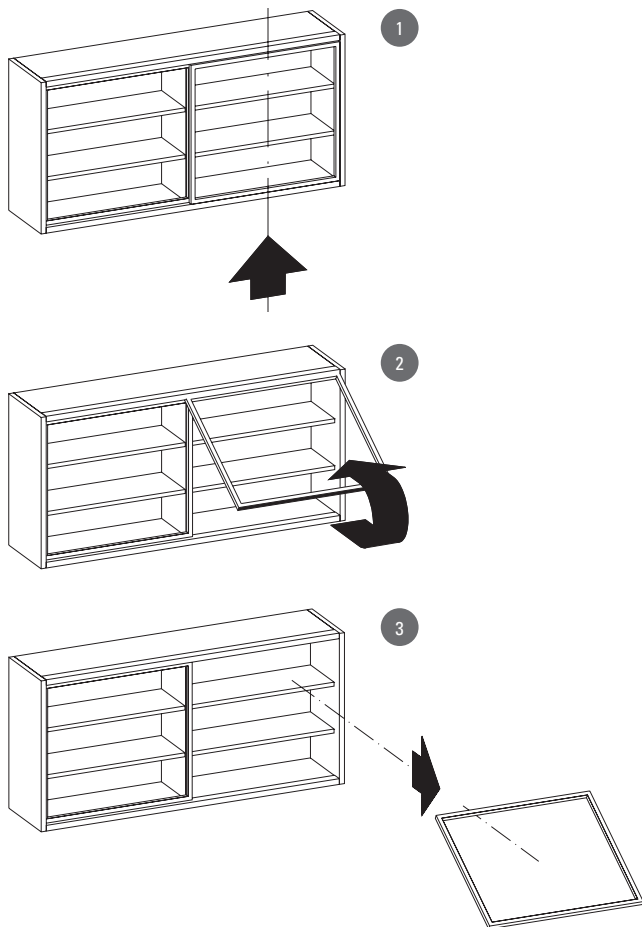
How to assemble and unassemble
a folding glass door for cleaning



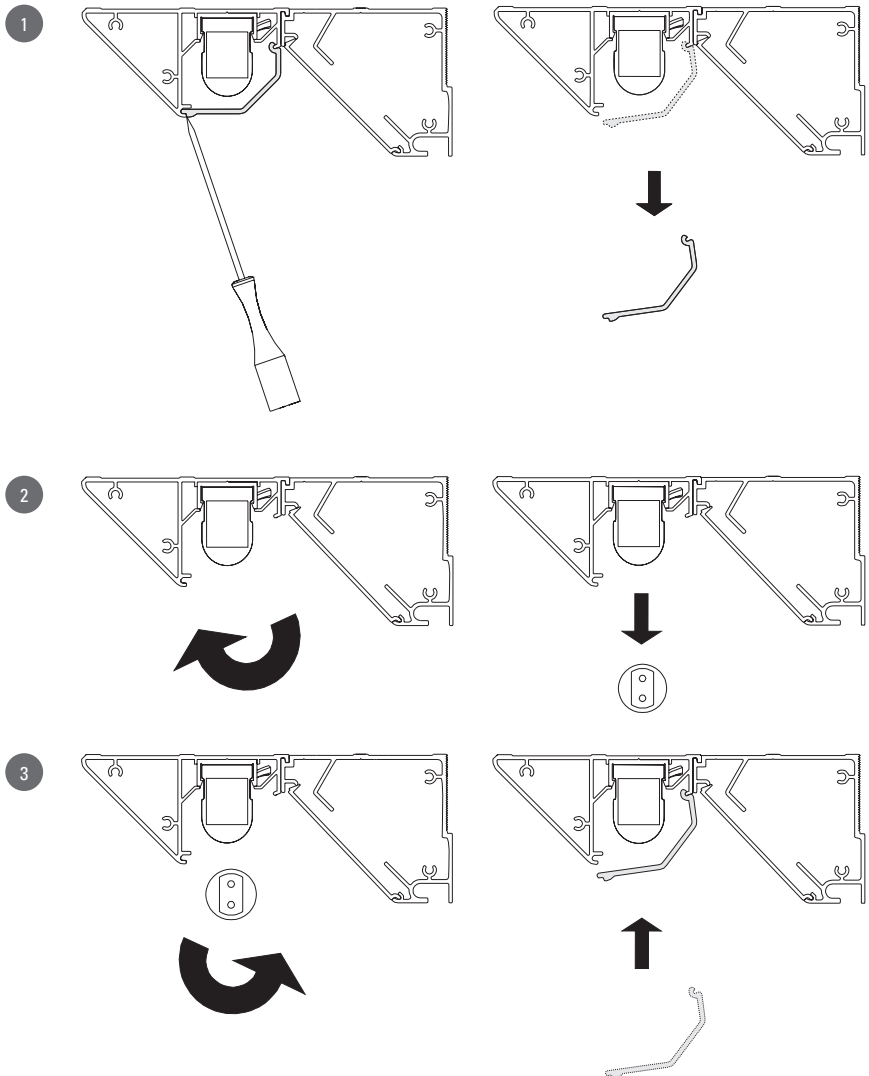
How to remove
a sliding-door glass unit front for cleaning

Be extremely careful when removing the glass unit fronts. Hold the exterior door firmly and push it upwards until it touches the top of the unit(1). Then, turn it slightly (2) until you can remove it (3).

To put the fronts back in place, follow the previous instructions backwards.

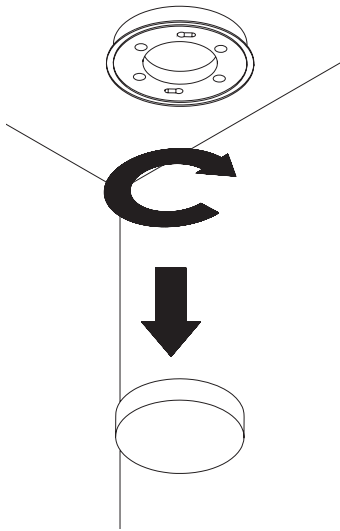


How to change a light
in the lighting profile



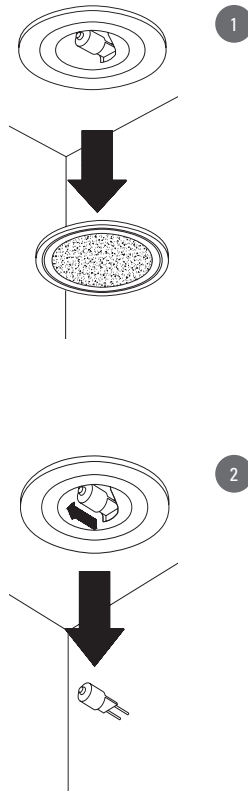
How to change a fluorescent light bulb

To remove the fluorescent light bulb, turn the lamp clockwise and pull downwards. To put in the replacement, reverse these steps.



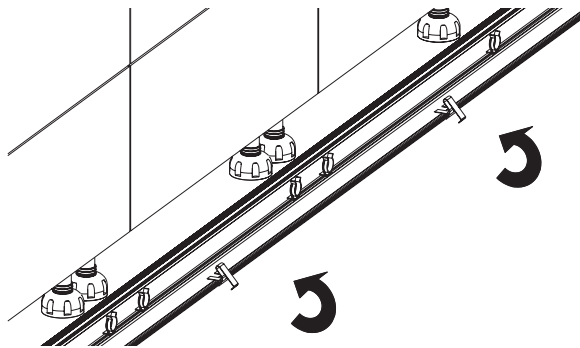
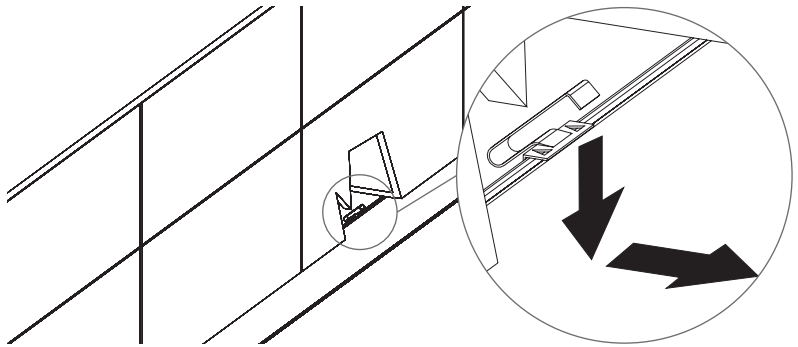
How to change a halogen light

Make sure the halogen lamp is not hot before touching it. Remove the trim by pulling downwards (1) and then remove the lamp by pulling it in the opposite direction as the connection (2).



How to remove
and put a plinth

For a correct installation of the plinth, it is important to place the pinth bracket perpendicular with the cabinet leg. This way, we'll avoid bending or breaking the bracket.



Certificate of guarantee

Santos Cocina y Baño, S.L. with registered office in Camporrapado, Boqueixón (Corunna - Spain), with VAT number B- 15383896 guarantees that this kitchen meets the requirements set up by UNE standards 56840:1993, 56841:2001, 56842:2001 and 56843:2001 regarding general building characteristics, mechanical tests, surface and physical coatings, respectively.

All the materials and components used in the manufacture of the Santos kitchen furniture fulfil the general conditions set up for such products in the Spanish Food Code and provisions developing it in accordance with Royal Decree Law 841/1985, as well as the observance of the Technical Health Regulations in compliance with Royal Decree Laws 1425/88, 1125/82 and 397/90.

Santos Cocina y Baño S.L. offers a FIVE-YEAR Guarantee for its products, starting from the purchase date, regarding any manufacturing flaw and defective material affecting its operation and use, in any area of the territory, except for all electrical elements and components which have a two year guarantee.

Santos also guarantees the agreement with the specifications stated in the purchase documents.

The guarantee offers a free of charge covery for the replacement and/or repair of the parts, components or furniture accepted as flawed and no meeting the specifications ,after the technicians of the company themselves or staff authorised to that purpose perform the inspection.

All travelling expenses and labor costs after two years have elapsed from the kitchen purchase date will be on the end user´s account.

The accessories, components and parts that have been naturally worn are guarantee-exempt.

The repair works can only be carried out by staff expressly authorised by Santos and these should be carried out in a reasonable time limit thus causing minimum disturbance to the consumer.

The submission of this Guarantee is necessary in order to cover the intervention of our after-sales service. The product repair or replacement shall suspend the computation of the guarantee period. Likewise, the guarantee does not affect the rights the consumer is entitled to in accordance to the provisions of Act 23/2003, of July 10, on Guarantees in the sale of consumer goods.

The validity of the Santos products warranty is subject to compliance with the following rules:

All the paragraphs of this document should be properly filled in, bearing the signature and seal of the dealer performing the sale. If the dealer's seal is not stamped, the submission of the purchase invoice or a copy of the contract will substitute for it, for guarantee purposes.

The product must be correctly stored, handled and transported. Santos cannot be held responsible for any damage caused by incorrect use, storage and handling, as well as transport by companies other than Santos.

Appropriate installation of the furniture and components. The responsibility for damages or defects caused by inappropriate installation lies with the company performing the assembly in the premises of the customer/user.

Appropriate use, upkeep and maintenance of the furniture with reference to the characteristics of the different materials used for its manufacture in accordance with what is stated in the instructions of use, preservation and maintenance.

The warranty does not cover catastrophic events (such as fire, floods, etc.), product modifications o malos usos, and any circumstances outside the control of the manufacturer.

This publication is exclusive property of Santos Cocina y Baño S.L and its total or partial reproduction is strictly forbidden and is protected under the legislation in force.

The use, copy, reproduction, or sale of this publication will only be made with express authorization and in writing of the holder.

Santos cannot be held responsible for any typing, colour, or printing errors.

During its validity Santos reserves the right to make changes to the features and technical specifications of products, in their design, as well as in the technical and design recommendations reflected in this document. These modifications, which will respond to market circumstances that require or advise them, can be made without prior notice, although endeavours will be made to bring them to the attention of the user when it is necessary or advisable.

Successive versions of this document invalidate those which preceded them. Santos will try to put the new editions immediately at the disposal of its users.

In the event of doubt or of discrepancy in the different language versions of this document, the Spanish version will prevail, and will constitute the document of reference.

© Santos Cocina y Baño S.L.
Camporrapado s/n
Boqueixón - A Coruña
Printed in Spain
D.L. VG 893-2009



We advise you keep this document for future reference.

The fitting of the cabinets must be done by trained staff.

If you have any doubts, suggestions or complaints, please contact our authorised dealer.

PURCHASE INFORMATION

Model

Factory reference

Sale date

Installation date

Dealer's name and seal

